

---

**KIT PART NUMBER 4360004**  
**INSTRUCTIONS FOR INSTALLING: Axial Evaporator Fan**  
**and Vend Door Solenoid Assembly in**  
**436 Deli Shop merchandiser..**

**CHECK THE PARTS RECEIVED IN THIS KIT WITH THE PARTS LIST IN THESE INSTRUCTIONS. IF ANY PARTS ARE MISSING CONTACT THE CRANE MERCHANDISING SYSTEMS' PARTS DEPARTMENT AT 1-800-621-7278.**

Read these instructions carefully before installing the kit.  
Keep these instructions for part numbers and for future reference.

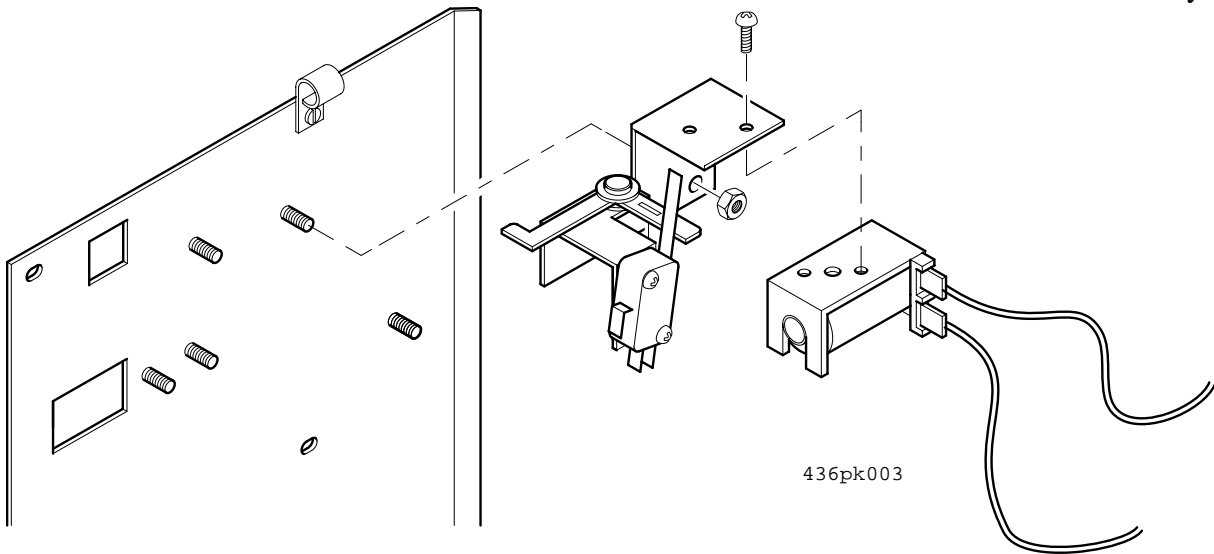
**THIS KIT CONTAINS THE FOLLOWING:**

<b>PART NUMBER</b>	<b>DESCRIPTION</b>	<b>QTY</b>
4363004	SOLENOID & BRACKET ASSEMBLY	9
4314014	FAN - EVAPORATOR - AXIAL (115 V)	1
4402043	NUT-#8-32 W/L.W.-S.S.	4
9900115	SCREW #8-32 X 3/4 RHS	4

**Removal and Replacement of Solenoid Assembly**

1. Turn the machine OFF with the main switch.
2. Remove the temperature sensor cover from the solenoid cover.
3. Remove the solenoid cover.
4. Remove the two wires connected to the solenoid assembly (see Figure 1).  
(Use needle nose pliers to remove the spade lugs to prevent damage to the harness.)

- Remove two 5/16 hex nuts which secure the solenoid bracket and remove the assembly.

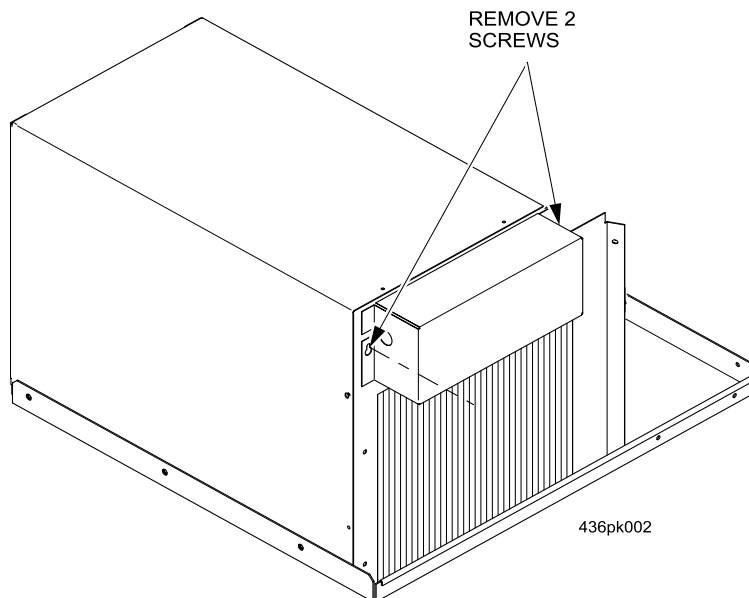


**Figure 1**

- Install the new solenoid and bracket assembly using the screws removed in step 5.
- Connect the two wires removed in step 4.
- Replace the solenoid assembly cover and the temperature sensor cover.
- Insert the 4 pin lamp harness connector into the ballast 4 pin connector and the 2 pin connector into the door harness connector.

### **Removal and replacement of evaporator fan**

- Remove the "L" bracket at the base of the refrigeration unit.
- Remove the ballast cover from the front of the refrigeration unit and disconnect the harness connector.



**Figure 2**

12. Remove the refrigeration unit from the machine
13. Remove 13 screws that secure the evaporator top wrapper.
14. Remove two screws and nuts that secure the evaporator fan to the top wrapper.

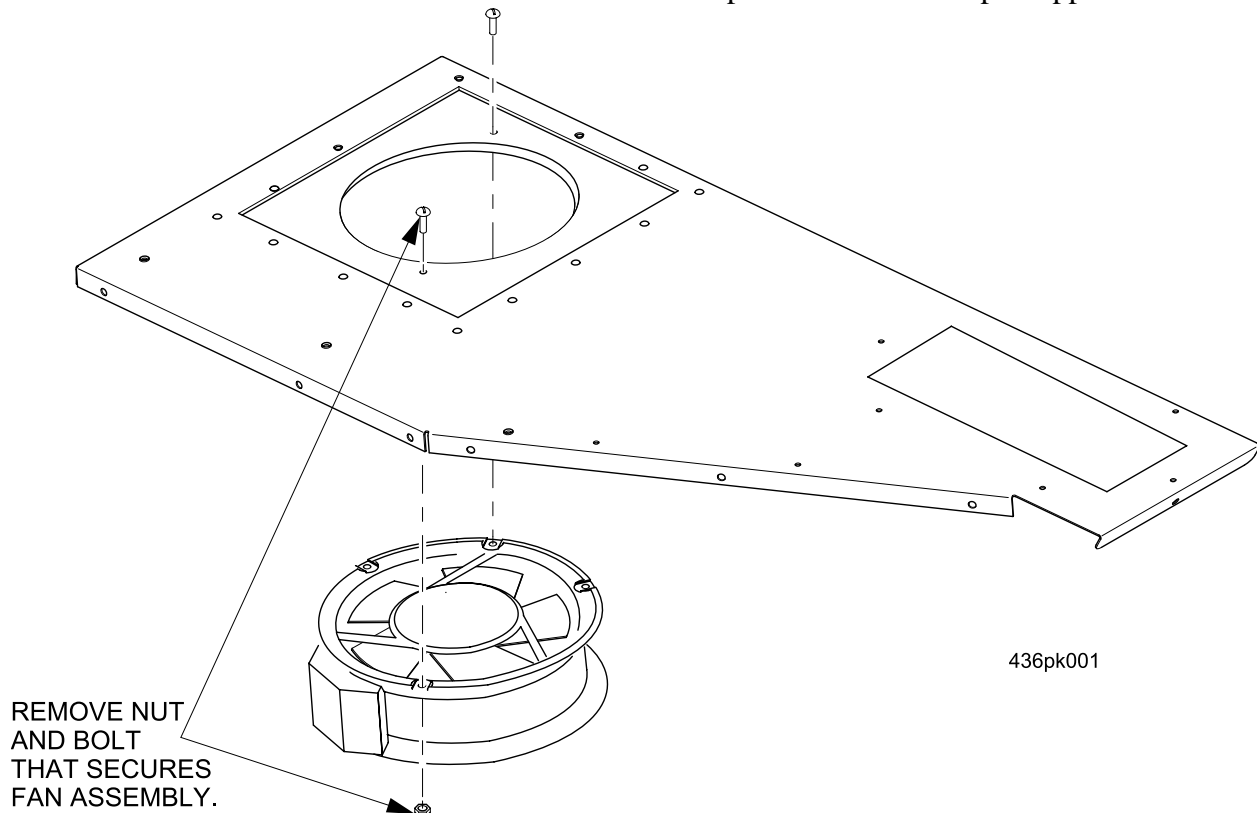


Figure 3

15. Remove the fan.  
**Note:** observe the direction of airflow of the fan and install the replacement fan in the same configuration.
16. Install the new evaporator fan using the two screws and nuts removed in step 14.
17. Replace the evaporator top wrapper securing with 13 screws removed in step 13.
18. Reinstall the refrigeration unit.